



AVC-GA92T

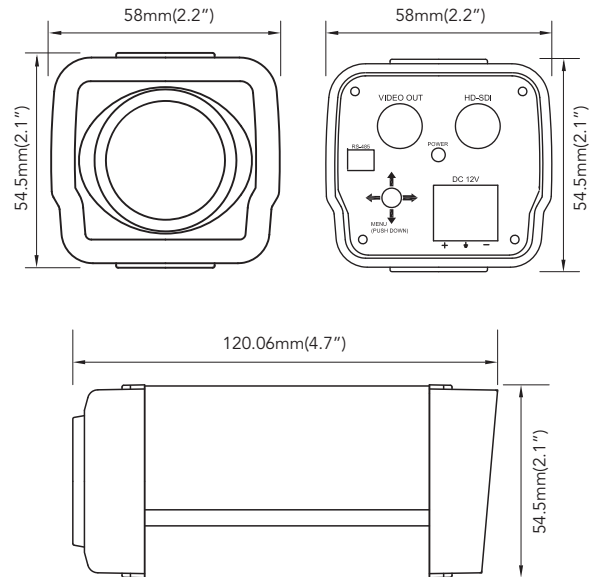
1080P INTERTWIN BOX CAMERA

OVERVIEW

- HD-TVI / (EX-)HD-SDI / ANALOG SOLUTION
- 1/2.9" 2.1MEGAPIXEL SONY EXMOR CMOS SENSOR
- HD 1080P
- TRUE WIDE DYNAMIC RANGE (WDR 120dB)
- 0.02Lux (SENS-UP X30)
- BUILT IN OSD CONTROLLER & 2nd BNC CONNECTOR
- DIGITAL NOISE REDUCTION
- MULTI LANGUAGE
- ICR FILTER CHANGE FUNCTION
- DC 12V (±10%) / AC 24V DUAL VOLTAGE

DIMENSIONS

Unit : inch(mm)



OPTIONAL ACCESSORIES

SPECIFICATIONS

DESCRIPTION	NTSC	PAL
IMAGE SENSOR	1/2.9" 2.4 MEGAPIXEL SONY EXMOR CMOS	
EFFECTIVE PIXEL	1920 (H) x 1080 (V) = 2.07M	
SCANNING SYSTEM	PROGRESSIVE	
VIDEO OUTPUT	HD_TV, CVBS : 1.0VPP, 75Ω COMPOSITE HD_SDI / 1080P / 720P(30P) / 720 CROP(60P)	
S/N RATIO	MORE THAN 52dB	
MIN. ILLUMINATION	0.02Lux (SEN-UP X32)	
LENS	N/A	
IRIS ADJUSTMENT	ALC / ESC	
ELECTRONIC SHUTTER	OFF / AUTO (1/30~1/50,000) FLK MANUAL (x2~x30)	OFF / AUTO (1/25~1/50,000) FLK MANUAL (x2~x30)
OSD LANGUAGE	ENG / CHN / CHN[S] / JPN / KOR	
BACKLIGHT COMPENSATION	OFF / HLC / BLC / WDR	
DAY & NIGHT	COLOR / BW / EXTERN / AUTO	
AUTO GAIN CONTROL	LEVEL (0~20) ADJUSTMENT	
WHITE BALANCE	AUTO / AUTODEXT / PRESET / MANUAL	
PRIVACY MASKING	ON / OFF (PROGRAMMABLE 16 ZONES)	
DNR	OFF / LOW / MIDDLE / HIGH	
ACE	OFF / LOW / MIDDLE / HIGH	
DEFOG	OFF / LOW / MIDDLE / HIGH	
DIGITAL ZOOM	ON / OFF (x1 ~ x8.0)	
SENS-UP	OFF / X2~X32	
MOTION	4 AREA	
DIGITAL EFFECT	OFF / V-FLIP / MIRROR / ROTATE	
DEFECT	LIVE DPC / DPC SET	
COMMUNICATION	RS485 (OPTION)	
IR LED	N/A	
INPUT VOLTAGE	DC 12V (±10%) / AC 24V DUAL VOLTAGE	
POWER CONSUMPTION	DC IR OFF : 200mA (±10%) / IR ON : 500mA (±10%) AC IR OFF : 190mA (±10%) / IR ON : 430mA (±10%)	
OPERATING TEMP. / HUM.	-10℃ ~ +50℃ / MAX 90% RH	
STORAGE TEMP. / HUM.	-20℃ ~ +60℃ / MAX 90% RH	