

AVC-NDB81F28 AI

NDAA COMPLIANT | CE | FC

8MP H.265 FIXED BULLET NETWORK CAMERA
Active Deterrence 24/7 Color

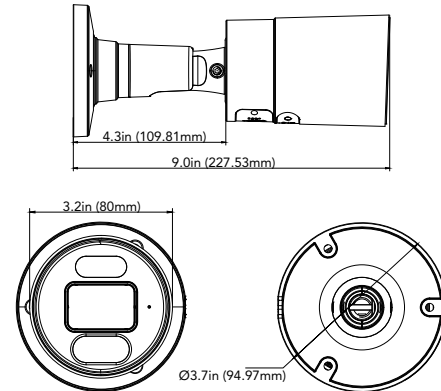


OVERVIEW

- 8MP (3840x2160) H.265+/H.264+/MJPEG
- Max. resolution: 3840x2160
- Full Color / Active Deterrence Camera
- 2.8mm Fixed Lens (F1.0)
- 3D DNR, WDR, HLC, BLC, ROI encoding
- Intelligent Analytics
- White Light LED / Strobe (Blue & Red) Light
- Built-in MIC / Speaker
- Built-in micro SD card slot, up to 256GB
- IP67 ingress protection
- DC12V/PoE power supply
- Support remote monitoring by AVYCON ONE (Mobile APP) and AVYCON CMSONE (CMS)

DIMENSIONS

Unit : inch(mm)



OPTIONAL ACCESSORIES



AVM-JB-BE-S2
JUNCTION BOX



AVM-CRM-A1
CORNER MOUNT



AVM-POM-A1
POLE MOUNT

SPECIFICATIONS

VIDEO	
Imaging Device	1/2.8"
Effective Pixels	8MP 3840(H) x 2160(V)
Scanning System	Progressive CMOS
Min. Illumination	Color 0.007 lux @ F1.0 (AGC ON); B/W 0 lux @ IR ON
LENS TYPE	
Focal Length (Zoom Ratio)	2.8 mm
Max. Aperture Ratio	F No. 1.0
Angular Field of View	Horizontal: 105°, Vertical: 55°, Diagonal: 125°
Min. Object Distance	2m
Lens Type	Fixed (M12)
OPERATIONAL	
IR LED	2
WarmLight	2
Red Blue Light	2 (1 Red & 1 Blue)
IR Viewable Length	Up to 65ft (20m)
WarmLight Viewable Length	Up to 65ft (20m)
Type of complementary light	Default warm light, switchable infrared light
Motion Detection	Off/On (8 Level)
Wide Dynamic Range	WDR
Digital Noise Reduction	3D DNR
Image Setting	Full Color Mode / Day & Night Mode / Smart Illumination
White Balance	Auto / Manual
Electronic Shutter Speed	1/5 ~ 1/20000s
On-Board Storage	Micro SD slot, up to 256GB
Alarm	NA
Audio	Built-in microphone & Speaker
Custom Voice	Yes
Hardware Reset	Yes
Smart Feature	Face Recognition, Pedestrian & Vehicle, Perimeter Intrusion, Line Crossing, Object Detection, Crossing Counting, Heat Map, Crowd Density, Queue Length, License Plate, Rare Sound, Intrusion, Region Entrance, Region Exiting
NETWORK	
Ethernet	RJ45 (10/100BASE-T)
Video Compression Format	H.265/H.264
Resolution	Main Stream @30fps: 8MP(3840x2160), 5MP(2592x1944, 3072x1728), 4MP(2592x1520), 3MP(2304x1296), 1080P(1920x1080), 960P(1280x960), 720P(1280x720) Sub Stream @30fps: 720P(1280x720), VGA(640x480), QVGA(320x240) Mobile Stream @30fps: VGA(640x480), QVGA(320x240)
Video Quality Adjustment	256Kbps ~ 16Mbps
Bitrate control method	CBR/VBR
IP	IPv6
Protocol	TCP/IP, HTTP, DHCP, DNS, DDNS, RTP/RTSP, SMTP, NTP, UPnP, SNMP, HTTPS, FTP
Security	IP address filter; complicated password; Authenticated username and password
Application Programming Interface	ONVIF (Profile S/G/T/M)
Web Viewer	IE10/11, Safari V12.1 above, Firefox V.52 above, Google chrome V.57 above, Edge V.79 above
ENVIRONMENTAL	
Operating Conditions	-31~+140°F (-35~+60°C) / less than ≤ 90% RH
Ingress Protection	IP67
ELECTRICAL	
Input Voltage / Current	D12V/POE (IEEE802.3af)
Power Consumption	DC12V: max 7.1W; POE (48V): max 11.7W
MECHANICAL	
Material	Metal