



AVC-PNN41X40LW

NDAA COMPLIANT | CE | FC

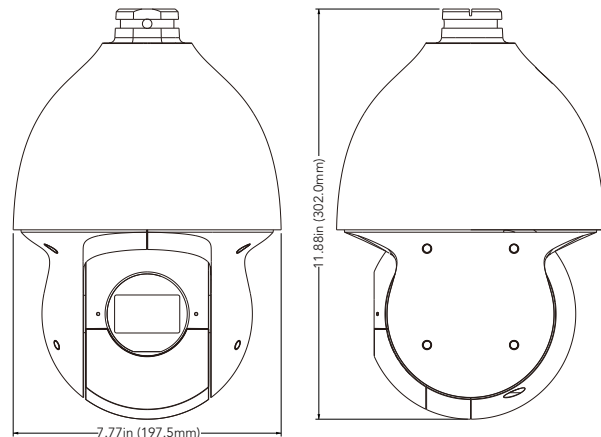
4MP H.265 NETWORK IR SPEED DOME CAMERA

OVERVIEW

- High Efficiency Video Coding (H.265)
- 1/2.8" 4MP Progressive Scan CMOS
- Up to 2560x1440 @30fps Resolution
- Min. illumination: Color: 0.005 Lux @ (F1.2, AGC ON); B/W: 0.001 Lux @(F1.2, AGC ON); 0Lux with IR
- 40× Optical Zoom
- HDR, 3D DNR, Smart IR
- Up to 1148 ft. (350m) smart IR distance
- PoE+ and DC24V
- IP66, Aluminum Alloy & Plastic
- Support H.265+/H.265 Video Compression
- Intelligent Video content analytics
- Smart tracking of human/vehicle
- Smart detection and perimeter protection
- Wall mount included

DIMENSIONS

Unit : inch(mm)



OPTIONAL ACCESSORIES



AVM-P-PMT
POLE
MOUNT BRACKET



AVM-P-CMT
CORNER
MOUNT BRACKET

SPECIFICATIONS

CAMERA	
Image Sensor	1/2.8" progressive scan CMOS image sensor
Max Resolution	2560x1440
Mini. Illumination	Color : 0.005 Lux @ (F1.2, AGC ON) ; B/W : 0.001 Lux @(F1.2, AGC ON);0Lux with IR
Image Setting	Flip, Mirror, Saturation, Brightness, Contrast, Sharpness, AGC, etc. adjusted by client
Shutter Speed	60Hz: 1/30s – 1/30,000s@30fps; 50Hz: 1/25s~1/25,000s@25fps
White Balance	Auto/Manual/Indoor/Outdoor
Gain Control	Auto/Manual
Day & Night Control	Auto/Manual ,time schedule
Iris Control	Auto/Manual
SNR	≥52dB
3D DNR	Auto/Manual
AE Enhancement	BLC, HLC, WDR
Digital Zoom	8X
EIS	N/A
Privacy Mask	4mask. (Ver 5.1.3 update:24 programmable polygon privacy masks, color or mosaic configurable)
Picture Overlay	Logo picture could be overlaid on video with 128×128pixels, 24bits format
OSD Overlay	Max 15 characters/line, 8 lines, white or red font color
LENS	
Focus Length	f=4.5-180mm lens, 40x optical zoom
Zoom Speed	Approx. 5.2s (optical zoom, wide-tele)
Field of View	H: 59.1° ~ 1.8°; V: 38.4° ~ 1.1° ; D: 6.9° ~ 2.1° (wide-tele) ±5%
Image Distance	Wide: 1.0m ~ INF; tele: 1.5m ~ INF
Aperture Distance	F1.2-F3.5(W-T)
Iris Type	DC_IRIS
IR Cut Type	Removable IRCF, absorbing type, reducing image flare/ghost
DORI Distance	Focus length: f=4.5mm, Detect: 99.6m (326.8ft), Observe: 39.5m(129.7ft), Recognize: 19.9m(65.4ft), Identify: 10m(32.7ft)
PTZ	
Pan Range	360°endless
Pan Speed	Configurable, from 0.1~360°/s; Preset speed: 330°/s
Tilt Range	From -25° to 155°, auto flip at 90°
Tilt Speed	Configurable, from 0.1°~210°/s, Preset speed: 180°/s
Proportional Zoom	Yes
Preset	360
Cruise	8 cruises, up to 16 presets (ver5.1.3 update:32presets) for each cruises
Trace	4 traces, record time over 3 minutes(ver5.1.3 update: 10minutes) for each trace
Power Off Memory	Support
Action Mode	Preset/Cruise/Trace/Auto Scan/Random Scan
3D Positioning	Support
PTZ Status Display	Support
Schedule Task	Preset/Cruise/Trace/Random Scan/Boundary Scanning /Dome reboot
IR	
IR Distance	350m (1148 f.t.), 850mm IR
Smart IR	Yes
NETWORK	
Main Stream	50Hz: 25fps: 2560 × 1440, 1920×1080, 1280×960, 1280×720; 60Hz: 30fps: 2560x1440, 1920×1080, 1280×960, 1280×720
Sub Stream	50Hz: 25fps (704 × 576, 640 × 480, 352 × 288); 60Hz: 30fps (704 × 480, 640 × 480, 352 × 240)
Third Stream	50Hz: 25fps (1920 × 1080, 1280 × 960, 1280 × 720, 704 × 576, 640 × 480, 352 × 288) 60Hz: 30fps (1920 × 1080, 1280 × 960, 1280 × 720, 704 × 480, 640 × 480, 352 × 240)
Video Compression	H.265+/H.265/H.264+/H.264/MJPEG
H.264 Standard	H.264/AVC codec BP/MP/HP, Level 5.1
H.265 Standard	H.265/HEVC codec MP, level 5.0
Video Bit Rate	64 Kbps to 16Mbps
Audio Compression	G.711 A/U
Audio Bit Rate	64K bps
Protocols	HTTP, HTTPS, IPv4/IPv6, 802.1x, QoS, FTP, SMTP, UPnP, SNMP,DNS, DDNS, NTP, RTSP, RTCP, RTP, TCP/IP, UDP, DHCP, PPPoE, P2P, RTMP
User / Host	Up to 16 users, 3 levels: Administrator, Advanced User and Normal User
Security Measures	User authentication (ID and PW), Host authentication (MAC address); HTTPS encryption, IEEE802.1x port-based network access control; IP address filtering
API	ONVIF , support TVT SDK and third-party management platform
Client	TVT N9000 1.4.7, TVT NVMS 2.0; and the third-party client, free iOS and Android App
Web Browser	IE8-11 with plug-in; Edge, Chrome, Firefox with plugin free
SMART FEATURES	
Basic Event	Motion detection, Video tampering alarm, Exception(Network disconnected, IP address conflict, SD full, SD error)
Face Recognize	(Default off, open per request)Face detection, capturing, comparison. Max 15 faces per scene
Road Traffic	Vehicle detecting and tracking. CPL will be available at ver5.1.3
Smart Detection	Tripwire, Bi-directional tripwire, Illegal intrusion detection, Region entrance detection, Region exiting detection, etc. More VCA will be available at ver5.1.3
Smart Tracking	support smart tracking of human or vehicle ,auto/manual

SPECIFICATIONS

SYSTEM INTEGRATION	
Alarm Interface	1 Alarm input(Dry contact); 1 Alarm output
Audio Interface	1 audio input, line level, 2.0-2.4Vpp, impedance 1KΩ; 1 audio output, line level, impedance, 600Ω
Alarm Linkage	Alarm actions, such as Preset, Cruise, Trace, Memory Card Video Record, Trigger Recording, Notify Surveillance Center, Upload to FTP/Memory Card, Send Email, etc.
Network Interface	1 RJ45 10M/100M Adaptive Ethernet ,Support PoE+
SD Card Slot	One MicroSD slot and chamber, up to 256G
Built-in Speaker & Mic	N/A
RS485	N/A
BNC	N/A
Reset button	Yes
Electric Heater & Fan	Yes
Water Removal	Remove water-drops by quick spinning
Demist	Active electric heating and air loop
GENERAL	
Languages	Czech; English, German, Hungarian, Italian, Japanese, Korean, Portuguese, Polish, Russian, Romanian, Spanish, Spanish(Mexico), Simplified Chinese, Turkish, Traditional Chinese, etc.
Power Supply	DC24V±25%, PoE+ (802.3.at, type 2), max 23.5W include IR ON+PTZ working
Working Condition	-40°C ~ 65°C (-40°F ~ 149°F), IR off; -40°C ~ 45°C, IR on; Cold start at - 30°C; 90%RH
Storage Condition	-40°C ~ 70°C ; ≤ 95% RH
Protection	6000V Lightning Protection, Surge Protection and Voltage Transient Protection
Shield Material	Aluminum Alloy(ADC12); Polymer(PC+GF15%)
Dimensions	Φ 197mm × 302mm (Φ7.8 inch × 11.9 inch)
Net Weight	Approx. 2.9 Kg (6.4 lb.)
Certification	IP67, IK10(including glass window), ROHS, CE, FC, KC, BIS, UKCA