



AVC-PNN61FLT

NDA
COMPLIANT | CE | FC

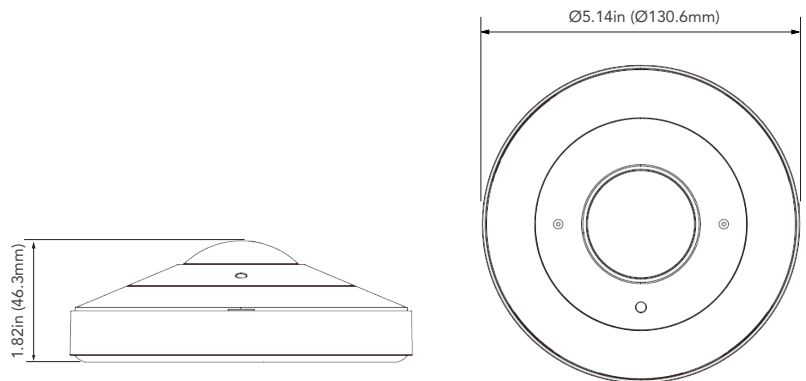
6MP H.265 WEATHERPROOF FISHEYE IP CAMERA WITH
360° FISHEYE & PANORAMIC VIEW

OVERVIEW

- 6MP (2160x2160) @ 30fps
- Max. resolution: 2160x2160
- Supports H.265/H.264, MJPEG Video Compression
- 360° Fisheye Lens, Panoramic View, e-PTZ Function
- Smart IR Illumination Up to 100ft.
- True Day/Night ICR Auto Switch
- DNR, Digital WDR, 8 ROI Encoding, HLC & BLC
- Smart Alarm with Motion and Sensor Features
- Built-in Micro SD Card Slot up to 128 GB
- Built-in MIC
- IP67 ingress protection
- DC 12V(±10%) / PoE(802.3af) < 12W
- Support remote monitoring by AVYCON ONE (Mobile APP) and AVYCON CMSONE (CMS)

DIMENSIONS

Unit : inch(mm)



OPTIONAL ACCESSORIES



AVM-DDMT-FE1
JUNCTION BOX



AVM-PWMT-FE1
WALL MOUNT



AVM-PCMT-FE1
CEILING MOUNT

SPECIFICATIONS

CAMERA	
Imaging Device	1/2.9" Progressive CMOS
Resolution	6MP
Image Size	2160x2160
Electronic Shutter	1/25s to 1/100,000s
Lens	360° Fisheye, Panoramic, e-PTZ Function
IR Distance	Up to 100ft. (30m)
Day & Night	True
Wide Dynamic Range	Digital WDR
Digital NR	Yes
Backlight Compensation (BLC)	Yes
Highlight Compensation (HLC)	Yes
Sharpness	Yes
ROI	Yes
VIDEO STREAM	
Max. Image Resolution	2160x2160
Primary Stream	Fisheye (2160x2160) Panorama (2160x2160) Fisheye + 3 PTZ Mode: (2160x2160, 1920x1920, 1440x1440) @ 30fps / (1920x1080) @ 30fps / (960x540) @ 30fps x 3 Panorama + 3 PTZ Mode: (2160x2160, 1920x1920, 1440x1440) @ 30fps / (1920x1080) @ 30fps / (960x540) @ 30fps x 3
Video Compression	H.265 / H.264 / MJPEG
Video Bit Rate	256Kbps ~ 1024Kbps (CBR / VBR Adjustable)
Image Settings	ROI, Saturation, Brightness, Chroma, Contrast, Wide Dynamic, Sharpen, NR, etc. (Adjustable through Software or Browser)
NETWORK	
Ethernet	1 x RJ45 10M / 100M Ethernet Port
Network Storage	Network Remote Storage
Remote Monitoring	Web Browser Interface, AVYCON CVMS / CVMS 2.0
Online Connections	Supports Up to 10 Concurrent Users
Protocol	UDP, IPv4, IPv6, DHCP, NTP, RTSP, PPPoE, DDNS, SMTP, FTP, SNMP, HTTP, 802.1x, UPnP, HTTPs, QoS
AUDIO	
Audio Compression	G.711A/U
Audio Bit-Rate	8Kbps ~ 48Kbps
Audio	1 channel audio input; 1 channel audio output; 1 channel built-in MIC
SYSTEM	
Alarm	Yes
Alarm I/O	1 Input / 1 Output
Local Storage	Built-in Micro SD Card Slot; Up to 128 GB
Smart Alarm	Motion Alarm, Sensor Alarm
PoE	802.3af, <12W
GENERAL	
Supported Protocols	ONVIF
Input Voltage	DC 12V(±10%) / PoE(802.3af)
Power Consumption	<12W
Ingress Protection	IP67
Working Environment	-22°~122°F (-30°~50°C)
Working Humidity	10~90% (Non-Condensing)
Weight	0.95lbs
Dimensions	Ø5.14x1.82in (Ø130.6x46.3mm)