



AVC-PNN81X32LW

NDAA COMPLIANT | CE | FC

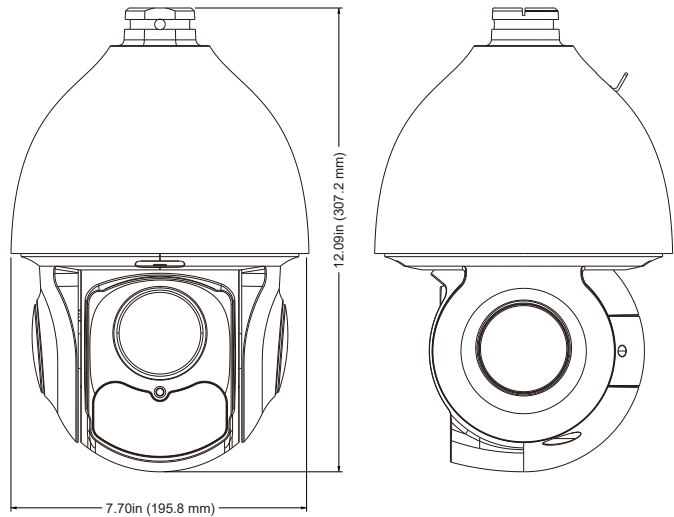
8MP NETWORK IR SPEED DOME CASMART

OVERVIEW

- High Efficiency Video Coding (H.265)
- 1/2.8" 8MP Progressive Scan CMOS
- Up to 3840 x 2160 @30fps Resolution
- Min. illumination: Color: 0.01 Lux @ (F1.2 AGC ON) / 0 Lux with IR
- 32x Optical Zoom
- HDR, 3D DNR, Smart IR
- Up to 200m smart IR distance
- PoE+ and DC24V
- IP66, Aluminum Alloy & Plastic
- Support H.265+/H.265 Video Compression
- Intelligent Video content analytics
- Smart tracking of human/vehicle
- Smart detection and perimeter protection
- Wall mount included

DIMENSIONS

Unit : inch(mm)



OPTIONAL ACCESSORIES



AVM-P-PMT
POLE
MOUNT BRACKET



AVM-P-CMT
CORNER
MOUNT BRACKET

SPECIFICATIONS

CAMERA	
Image Sensor	1/2.8" SONY latest progressive scan CMOS
Mini. Illumination	Color : 0.01Lux @ (F1.2, AGC ON) ; B/W : 0.002Lux @ (F1.2, AGC ON); 0Lux with IR
Image Setting	Flip, Mirror, Saturation, Brightness, Contrast, Sharpness, AGC, etc. adjusted by client
Shutter Speed	50Hz: 1/25 s ~ 1/25,000s; 60Hz: 1/30s-1/30,000s
White Balance	Auto/Manual/Indoor/Outdoor
Gain Control	Auto/Manual
Day & Night Control	Auto/Manual, time schedule
Iris Control	Auto/Manual
SNR	≥52dB
3D DNR	Auto/Manual
AE Enhancement	BLC, HLC, WDR
Privacy Mask	4areas, up to 8areas per request.
Picture Overlay	Logo picture could be overlaid on video with 128x128pixels, 24bits BMP format
OSD Overlay	max 15 characters/line, 8 lines, white or red font color
LENS	
Focus Length	f=4.8-154mm lens, 32x optical zoom
Zoom Speed	Approx. 4.6s (optical zoom, wide-tele)
Field of View	Horizontal: 61.3° ~ 2.18° ; Vertical: 36.9° ~ 1.22° ; Diagonal: 68.4° ~ 2.5° (wide-tele) ±5%
Working Distance	wide: 1.0m ~ INF; tele: 1.5m ~ INF
Iris	F1.2 ~ F4.4 (wide-tele)
IRCut Type	Removable IRCut filter
DORI Distance	f=4.8mm; Detect 453.5ft (138m), Observe 179.66ft (54.76m), Recognize 90.7ft (27.7m), Identify 45.35ft (13.8m) f=154mm; Detect 11,575ft (3528m), Observe 4,593ft (1400m), Recognize 2,296ft (700m), Identify 1148ft (350m)
PTZ	
Pan Range	360°endless
Pan Speed	Configurable, from 0.5~120°/s; Preset speed: 150°/s
Tilt Range	From -5° to 90°, auto flip
Tilt Speed	Configurable, from 0.5°~ 120°/s, Preset speed: 150°/s
Proportional Zoom	Yes
Preset	360
Cruise	8 cruises, up to 16 presets for each cruises
Trace	4 traces, record time over 3 minutes for each trace
Power off Memory	Support
Action Mode	Preset/Cruise/Trace/Auto Scan/Random Scan
3D Positioning	Support
PTZ Position Display	Support
Schedule Task	Preset/Cruise/Trace/Random Scan/Boundary Scanning /Dome reboot
IR	
IR Distance	656ft(200m), dual stack 850nm IR Array
Smart IR	Yes
NETWORK	
Max Resolution	3840x2160
Main Stream	50Hz: 25fps: 3840x 2160, 2560x 1440, 1920x 1080, 1280x 960, 1280x 720 60Hz: 30fps: 3840x 2160, 2560x 1440, 1920x 1080, 1280x 960, 1280x 720
Sub Stream	50Hz: 25fps: (704 x 576, 640 x 480, 352 x 288) 60Hz: 30fps (704 x 480, 640 x 480, 352 x 240)
Third Stream	50Hz: 25fps (1920 x 1080, 1280 x 960, 1280 x 720, 704 x 576, 640 x 480, 352 x 288) 60Hz: 30fps (1920 x 1080, 1280 x 960, 1280 x 720, 704 x 480, 640 x 480, 352 x 240)
Video Compression	H.265+/H.265/H.264+/H.264/MJPEG
H.264 Standard	H.264/AVC codec BP/MP/HP, Level 5.1
H.265 Standard	H.265/HEVC codec MP, level 5.0
Video Bit Rate	64 Kbps to 16Mbps
Audio Compression	G.711 A/U
Audio Bit Rate	64K bps
Protocols	HTTP, HTTPS, IPv4/IPv6, 802.1x, QoS, FTP, SMTP, UPnP, SNMP, DNS, DDNS, NTP, RTSP, RTCP, RTP, TCP/IP, UDP, DHCP, PPPoE
User / Host	Up to 16 users, 3 levels: Administrator, Advanced User and Normal User
Security Measures	User authentication (ID and PW), Host authentication (MAC address); HTTPS encryption, IEEE802.1x port-based network access control; IP address filtering
SMART FEATURES	
Basic Event	Motion detection, Video tampering alarm, Exception(Network disconnected, IP address conflict, SD full, SD error)
Face Recognize	Detecting max 15 faces at same scene. Detecting, tracking, capturing
Road Traffic	Vehicle detecting and tracking
Smart Detection	Tripwire, Bi-directional tripwire, Illegal intrusion detection, Region entrance detection, Region exitance detection, etc. More VCA per request
Smart Tracking	Smart tracking of human or vehicle, auto/manual

SPECIFICATIONS

SYSTEM INTEGRATION	
Alarm Interface	1 Alarm input(Dry contact); 1 Alarm output
Audio Interface	1 audio input(MIC in); 1 audio output, line level, impedance,600Ω
Alarm Linkage	Alarm actions, such as Preset, Cruise, Trace, Memory Card Video Record, Trigger Recording, Notify Surveillance Center, Upload to FTP/Memory Card, Send Email, etc.
Network Interface	1 RJ45 10M/100M Adaptive Ethernet ,Support PoE++(802.3.bt)
SD Card	On-body MicroSD chamber, up to 256G
RS 485	N/A
BNC	N/A
Speaker & Mic	N/A
Reset Button	Yes
Heater	Yes
Fan	Yes
Water Removal	Hot air blow to lens glass to remove frost, ice; Remove water-drops by quick spinning
API	ONVIF, support TVT SDK and third-party management platform
Client	TVT N9000 1.4.5, TVT NVMS 2.0; and the third-party client
Web Browser	IE8-11
GENERAL	
languages	Czech; English, German ; Hungarian ; Italian ; Japanese ; Korean ; Portuguese, Polish; Russian, Romanian, Spanish; Spanish(Mexico);Simplified Chinese; Turkish; Traditional Chinese.
Power Supply	DC24V/AC 24V ±25%, PoE++ (802.3.Bt), max 34W include IR ON + PTZ working
Working Condition	-40°C ~ 65°C (-40°F ~ 149°F);Cold start at - 30°C(0.5Hour warming up); ≤90%RH no-condensing
Storage Condition	-40°C ~ 70°C ; ≤ 95% RH
Protection	6000V Lightning Protection, Surge Protection and Voltage Transient Protection
Shield Material	Main body: Aluminum Alloy; Decoration: Plastic
Dimensions	Φ196mm × 317mm (7.7 inch Φ × 12.5 inch)
Net Weight	Approx. 3.7 Kg (8.31 lb.)
Certification	IP66,IK10(excluding glass window),ROHS,CE,FC