



AVC-TB52M50

NDA
COMPLIANT

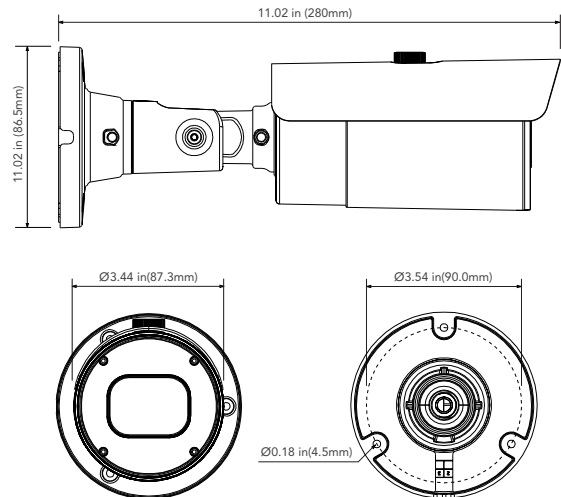
5MP HD-TVI MOTORIZED VARIFOCAL BULLET CAMERA

OVERVIEW

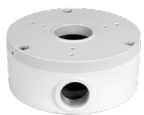
- 5MP (2592 x 1944)
- Motorized 5 - 50mm (10X) Lens
- HD-TVI / CVI / AHD / CVBS (Analog)
- Easy-to-Use DIP Switch to Change Formats
- True Day / Night
- Smart IR Illumination Up to 164ft.
- Digital NR
- True WDR
- IP67 Outdoor Rating
- Dual Voltage: DC 12V ($\pm 10\%$, 5W Consumption) & AC 24V
- NDA Compliant

DIMENSIONS

Unit : inch(mm)



OPTIONAL ACCESSORIES



AVM-JB-BE-S1
JUNCTION BOX
(FIT VERSION)



AVM-JB-BE-L1
JUNCTION BOX
(WIDE VERSION)



AVM-CRM-A1
CORNER MOUNT



AVM-POM-A1
POLE MOUNT

SPECIFICATIONS

CAMERA	
Image Sensor	1/2.7" Progressive Scan CMOS
Resolution	5MP
Image Size	2592 x 1944
Video Output	1-channel BNC Video Output
Image System	PAL / NTSC
Electronic Shutter	1/15s to 1/50,000s
IR Distance	Up to 164ft.
Video Formats	HD-TVI / AHD / CVI / CVBS (Analog)
Frame Rate	5AHD/5TVI: 5MP @20fps (NTSC / PAL) AHD/CVI/TVI: 4MP @30fps (NTSC) / @25fps (PAL), 2MP @30fps (NTSC) / @25fps (PAL)
Min. Illumination	0.05lux@F1.2(AGC ON),0Lux with IR ON
Lens	Motorized 5 - 50mm (10X) Lens
Horizontal Field of View	45~7°
Lens Mount	φ14mm
S/N Ratio	39dB
Function Control	OSD, Control over Coax (UTC)
IMAGE	
Day & Night	EXT / Auto / Color / BW (Black and White)
True WDR	Yes
Digital NR	Yes (3D DNR)
Auto Gain Control (AGC)	Yes
Auto White Balance (AWB)	Yes
Backlight Compensation (BLC)	Yes
Edge Brightness Compensation	Yes
Defog	No
HLC	Yes
Sharpness	Yes
Mirror Image	Yes
Smart IR (Anti-SAT)	Yes
Image Setting	Yes
Defect Correction	Auto / Manual
GENERAL	
Angle Adjustment	Any Angle
Input Voltage	DC 12V (±10%) & AC 24V
Power Consumption	Maximum 5W
Ingress Protection	IP67
Working Environment	-22°~131° F (-30°~55° Celcius)
Dimensions	11.02" x 3.40" (280mm x 86.5mm)