



## AVC-TLE51F28

NDA  
COMPLIANT

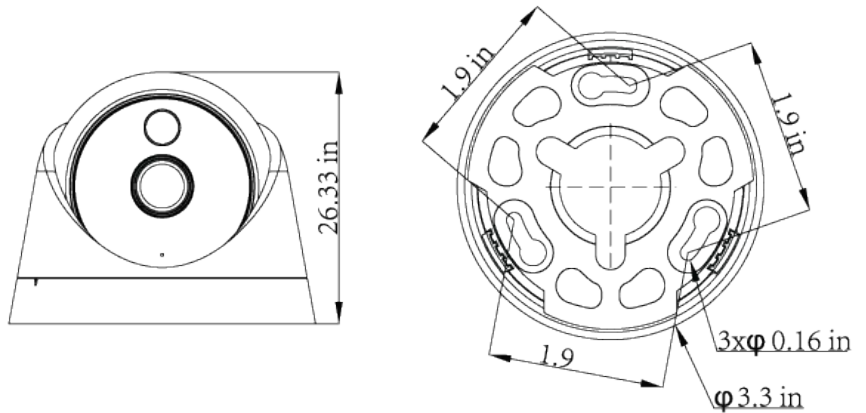
5MP EVO SERIES INDOOR FIXED TURRET CAMERA

### OVERVIEW

- 5MP (2592 x 1944) @ 20fps
- Max. Resolution: 2592 x 1944
- Min. Illumination:
  - Color: 0.03 lux@F2.0, AGC ON;
  - B/W : 0 lux with IR
- Lens: Fixed 2.8mm
- Infrared Distance: 65ft (20m)
- DC12V±10%, 500mA
- NDA Compliant

### DIMENSIONS

Unit : inch(mm)



### OPTIONAL ACCESSORIES

## SPECIFICATIONS

CAMERA	
Image Sensor	1/3" CMOS Sensor
Image Resolution	5M: 2592 x 1944, 4M: 2560 x 1440, 2M: 1920 x 1080
TV System	PAL/NTSC
Electronic Shutter	Auto
Minimum Illumination	Color : 0.03 lux@F2.0, AGC ON; B/W : 0 lux with IR
Scanning System	Progressive Scan
LENS	
Focus Length	2.8mm
Focus Control	Fixed
Lens Type	Fixed
NIGHT VISION	
IR Cut Filter	YES
Infrared LED	42μ x 1PCS
Infrared Distance	20M
IR Status	AGC auto control
CAMERA FEATURES	
Starlight	N/A
Day/Night	YES/NO
OSD Menu	YES
WDR	DWDR
UTC	YES
Noise Reduction	DNR
Coaxial Audio	N/A
White Balance	AUTO / MANUAL
Gain Control	AUTO
GENERAL	
Housing	Plastic
Bracket	NO
Operation Temperature	14°F ~ 140°F (-10°C ~ +60°C RH95% Max)
Storage Temperature	-4 °F ~ 140°F (-20°C ~ +60°C RH95% Max)
Power Source	DC12V±10%, 500mA
Dimension	φ83.9* 68.8mm
Weight	156.2g