



AVM-PT-CMT-T30

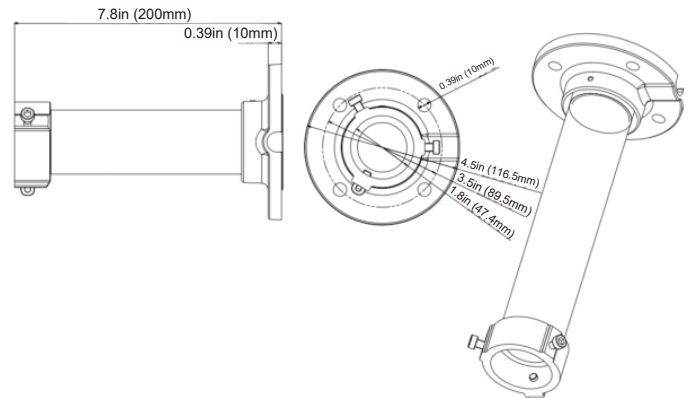
CEILING/PENDANT MOUNT FOR IP DOME CAMERAS

OVERVIEW

- Aluminum Alloy Material with Surface Spray Treatment
- Waterproof Design & Allows for a Clean Cable Setup
- Available for Ceiling Mount
- Indoor / Outdoor Use

DIMENSIONS

Unit : inch(mm)



SPECIFICATIONS

GENERAL	
Material	Aluminum Alloy
Color	White
Working Temperature	-40°C~60°C (-40°F~140°F)
Working Humidity	10~90% (Non-Condensing)
Ingress Protection	IP66
Weight	N/A
Load Bearing	Surface = 3X Weight of Camera + Junction Box
Dimensions	4.5" x 7.8" (116.5mm x 200mm)