



AVR-NT804C

NDA
COMPLIANT | CE | FC

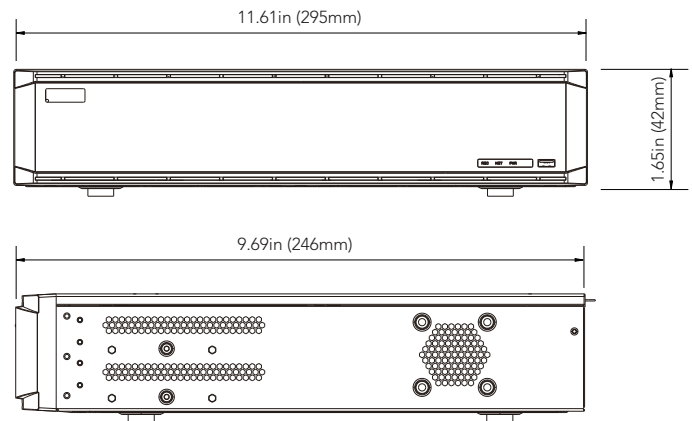
4 CH. HD ALL-IN-ONE DIGITAL VIDEO RECORDER
HD-TVI / CVI / AHD / ANALOG / IP ALL-IN-ONE

OVERVIEW

- 8MP / 5MP / 4MP / 1080P / 960P / 720P / WD1 HD Analog Input
- Adopt standard H.265 high profile compression format to get high-quality video at much lower bit rate
- Intuitive and user-friendly Graphics User Interface (GUI), window style operation by mouse
- Multi-mode recording: manual / timed / motion
- Playback: 4 CH simultaneously playback
- Search: time slice, time, event, tag and smart search
- Express and flexible backup via USB, network and so on
- Pentaplex: preview, record, playback, backup and remote access
- DHCP, DDNS, PPPoE network protocol
- Remote control via Web Client or CMS: preview, playback, backup, PTZ and configuration
- Authorization management, log review and device status review
- HDMI 4K output, true high resolution display
- Support PTZ preset and auto cruise, up to 255 presets and 8 cruises
- Support NAT function and QRCode scanning by mobile phones
- AVYCON / ONVIF® IP Camera Support up to 8MP
- Full Interactive PTZ Function with OSD Menu, Preset, Scan and Tour
- All-in-One Video Management Software for NVR, DVR and IP Cameras
- Dual stream technology for local storage with high definition, remote network transmission and remote surveillance with mobile device

DIMENSIONS

Unit : inch(mm)



MOBILE APP

AVYCON MOBILE CVMS



REAR PANEL



SPECIFICATIONS

VIDEO	
Video Input (Analog + IP)	Total: 6 CH Analog: 4 CH IP: 2 CH (6 CH Max. IPC Supported When Converting Analog Channels)
Output	HDMI × 1: 3840 × 2160 / 1920 × 1080 / 1280 × 1024 / 1024 × 768 VGA × 1: 1920 × 1080 / 1280 × 1024 / 1024 × 768 BNC × 1: CVBS (Used as Main or Spot Output)
HD-Analog Input Resolution	TVI / AHD: 8MP, 5MP, 4MP, 1080P, 720P, WD1 Real Time CVI: 1080P, 720P Real Time
IP Input Resolution	8MP / 5MP / 4MP / 3MP / 1080P / 960P / 720P
Video Compression	Standard H.265
AUDIO	
Network Input	4 Channel IPC Audio Input
Local Output	RCA × 1
2-Way Audio	1 Channel Audio Input
RECORDING	
Resolution	8MP / 5MP / 4MP / 1080P / 960P / 720P
Frame Rate Channels	4K@6fps / 7fps (PAL / NTSC) (only CH1 supports) 4K Lite@12fps / 15fps (PAL / NTSC) 5MP@12fps (PAL / NTSC) 5MP Lite@20fps (PAL / NTSC) 4MP / 3MP@12fps / 15fps (PAL / NTSC) 4MP Lite / 1080P / 720P / WD1 / D1@25fps / 30fps (PAL / NTSC)
Frame Rate	25fps (PAL) / 30fps (NTSC)
Bit Rate	32Kbps ~ 4Mbps
Mode	Manual, Timer, Motion, Sensor
PLAYBACK	
Smart Search	Highlight Colors to Display Camera Record in a certain period of time, Different Colors refer to Different Record Events
Search	Time slice / Time / Event / Tag Search
Function	Play, Pause, Fast Forward, Fast Rewind, Digital Zoom, etc.
Simultaneous Playback	Max 16 Channels
ALARM	
Alarm Input	4 Channels Local Alarm Input; IPC Alarm Input Supported
Alarm Output	1 Channel
Alarm Trigger	Record, Snap, Preset, E-mail, etc.
STORAGE	
HDD Interface	SATA × 1, Max 18T per HDD; e-SATA × 1
BACKUP	
Network Backup	Yes
Local Backup	USB Flash Drive, USB Mobile HDD
NETWORK	
Interface	RJ45 10 / 100 Mbps × 1
Protocol	TCP/ IP, PPPoE, DHCP, DNS, DDNS, UPnP, NTP, SMTP
EXTERNAL INTERFACE	
RS-485	Yes, Connect to PTZ or Keyboard
Remote Controller	Optional
USB	USB 2.0 × 1 (Front Panel), USB 2.0 × 1 (Rear Panel)
GENERAL	
Power Supply	DC 12V
Power Consumption	≤10W (Without HDD)
Working Environment	14°~122°F (-10°~50° Celcius)
Working Humidity	10% ~ 90% (Non-Condensing)
Dimensions	11.61" × 1.65" × 9.69" (295mm × 42mm × 246mm)

HDD OPTIONS

- 1TB HDD: AVR-NT804C-1T
- 2TB HDD: AVR-NT804C-2T
- 3TB HDD: AVR-NT804C-3T
- 4TB HDD: AVR-NT804C-4T
- 6TB HDD: AVR-NT804C-6T
- 8TB HDD: AVR-NT804C-8T
- 12TB HDD: AVR-NT804C-12T
- 18TB HDD: AVR-NT804C-18T