

AVS-M300-CVMSST

NDAA COMPLIANT | CE | FC



ALL-IN-ONE CVMS SERVER

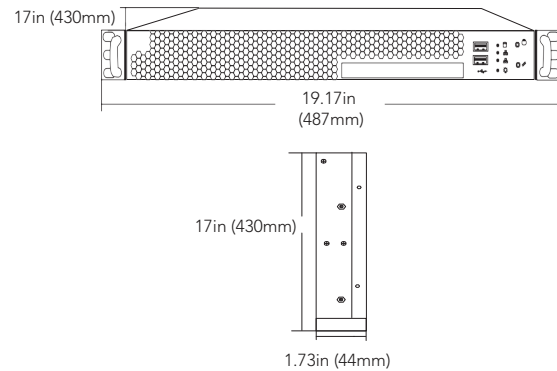
Based on the conception of "All-in-One", AVS-M300-CVMSST is a management server specially designed and developed for security surveillance application. Its software is installed before delivery and combines management, video preview and intelligent applications. Due to its low cost, simple deployment, flexible expansion, powerful performance and high reliability, it can meet the requirements of the medium and small-sized security systems.

OVERVIEW

- Supports AVYCON protocol, ONVIF protocol, standard RTSP, SDK
- Supports adding devices by manually entering IP address, domain name, or IP range, by auto search, or by auto report
- Setting the network of the devices before quick adding them
- Supports centralized management of decoding devices, encoding devices and platform services
- Supports adding fisheye and panoramic cameras
- Supports multi-monitor display & instant playback
- Supports two-way talk & remote listening
- Supports the basic configuration and user management of the devices
- PTZ remote control, including preset, track and cruise calling and settings
- Supports zoom in/out and focus+/- & PTZ protocol configuration
- Supports different users and permission based on resources and operation
- Permission can be assigned to each channel (or camera) of the device
- Supports multi-channel simultaneous and asynchronous playback
- Supports multiple record source & multi-window playback
- Supports playback by channel, time slice, time, tag and event search
- Supports record backup: manual backup, scheduled backup, backup by channel, time, tag and event search; supports cutting records and backup in the playback interface
- Supports multiple alarm types: Motion alarm, sensor alarm, smart event linkage alarm, line crossing counting linkage alarm, face match linkage alarm, etc.
- Supports Facial Detection on supported cameras
- Supports Android/iOS mobile APP

DIMENSIONS

Unit : inch(mm)

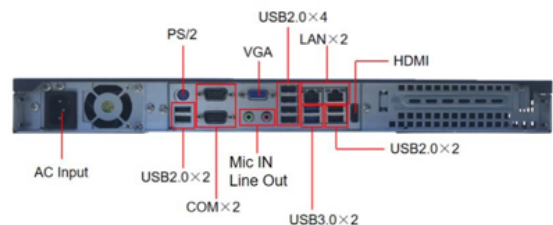


MOBILE APP

AVYCON MOBILE CVMS



REAR PANEL



SPECIFICATIONS

SYSTEM	
CPU	Intel® Core Processor E3
Memory	8GB DDR4 ECC Installed (Ability To Add Up To 64GB)
Graphics Card	Integrated Graphics, Intel® HD Graphics 530
Operation System	Linux
SOFTWARE	
Software Version	NVMS Standard (Custom)
Decoding Capability	4CH 8MP, 6CH 5MP, 8CH 4MP, 14CH 1080P, 33CH 720P, or 36CH D1 (or Lower)
Max. Number of Channel Access	2048 CH
Max. Number of Device Access	300 NVRs/FR Servers
AI Capability	Support Integrated Management of Face Detection IPCs, Face Match Servers, Face Recognition Terminals, Face Match NVRs, ANPR Cameras, Face Detection, Image Search by Face, Track Playback, Allow/Block list alarm as well as Stranger Alarm, Face Attendance, Face Greeting, People Counting, Parking Lot Management
Access Protocol	Support Local GUI access; External Mouse, Keyboard and Monitor; Multi-Monitor display
Live View	Private Protocol, SDK, ONVIF, RTSP
Record Playback	Support Multi-Screen Display Mode; Support Customized Screen Display Mode, Corridor Mode, Channel Group Auto-Switch, Stream Self-Adaption, Manual Record and Snapshot
Alarm Linkage	Support Search Record by Period, Time slice, Time and Tag; Support Synchronous or Asynchronous Playback; Support Record Backup
PTZ Control	Support Triggering Message Popup, Audio, Live View Window, Recording with Tag, Decoding on TV Wall
Max. Online Users	Zoom In, Zoom Out, Preset, Cruise, 3D Control
	64 users preview simultaneously
HDD	
System HDD	mSATA SSD 128GB
Data HDD	Not Applicable
VIDEO & AUDIO	
HDMI Output	1CH HDMI @ 4K
VGA Output	1 VGA @ 1080P
Audio Output	1CH Line Out
Two-way Audio	1CH Mic In
EXTERNAL INTERFACE	
Ethernet	RJ45 10M/100M/1000M Self-Adaptive Ethernet Port x 4
USB	USB 2.0 × 2 (Front Panel), USB 3.0 × 4 (Rear Panel)
Incoming Bandwidth	640Mbps
Outgoing Bandwidth	640Mbps
OTHERS	
Power	100~240V-6~3A/50~60Hz
Power Consumption	≤300W (with HDD)
Working Temperature	50°F~+95°F(10°C~+35°C)
Storing Temperature	-40°F~+158°F(-40°C~+70°C)
Working Humidity	10%~95%
Installation	Standard 19 Inch Rack Mount
Dimension	19.17" × 1.73" × 17"(487mm(W) × 44mm(H) × 430mm(D))
Weight	<24.36lbs (<12kg)