



AVC-PNN21X20LW

NDAA COMPLIANT | CE | FC

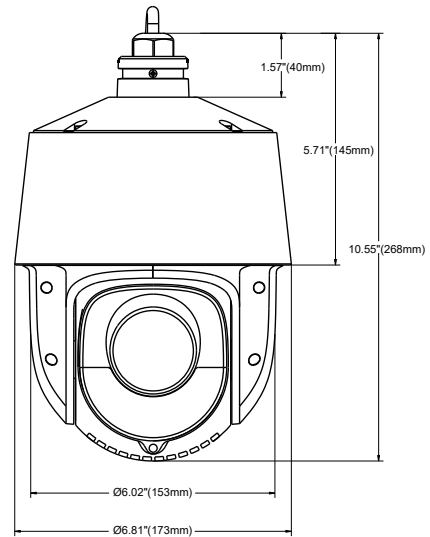
2MP NETWORK IR SPEED DOME CAMERA

OVERVIEW

- 1/2.8" Progressive Scan CMOS
- Up to 1920 x 1080 Resolution
- Min. illumination: Color: 0.005 Lux@(F1.6, AGC ON) / B/W: 0.001 Lux@(F1.6, AGC ON) / 0 Lux with IR
- 25x Optical Zoom, 16x Digital Zoom
- 120 dB WDR, 3D DNR, Smart IR
- Up to 150m IR distance
- Smart H.265/H.264 video compression
- IP66, -30°C~55°C, ADC12 + PC/GF
- PoE+ (802.3.at, class 3) and DC12V
- ONVIF, API and SDK
- NDAA Compliant
- Includes wall mount (AVM-PT-WMT-N20)

DIMENSIONS

Unit : inch(mm)



OPTIONAL ACCESSORIES



AVM-PT-CMT-N20
CEILING MOUNT



AVM-PT-RMT-N20
IN-CEILING MOUNT



AVM-P-PMT
POLE MOUNT



AVM-P-CMT
CORNER MOUNT

SPECIFICATIONS

CAMERA	
Image Sensor	1 / 2.8" Progressive Scan CMOS
Min. Illumination	Color: 0.005 lux @F1.6, AGC ON, B/W: 0.001lux @F1.65, AGC ON, 0 lux with IR
White Balance	Auto/Manual/Indoor/Outdoor
S/N ratio	More than 50dB
Gain	Auto/Manual
Shutter Time	1/1s - 1/100,00s
Day&Night	IR Cut Filter
Privacy Mask	No
Focus Mode	Auto/Manual
WDR	120dB
LENS	
Focal Length	f=4.8-120mm 25x Optical Zoom
Zoom Speed	Approx. 3.6s (Optical Lens, Wide-TELE)
Field of View	Horizontal field of view: 57.6° to 2.5°(Wide-TELE) Vertical field of view: 34.4° to 1.4° (Wide-TELE) Diagonal field of view: 64.5° to 2.9° (Wide-TELE)
Working Distance	Wide:1.0m~INF, Tele: 1.5m~INF
Aperture Range	F1.65 (Wide) to F3.8 (TELE)
IR	
IR Distance	150m
Smart IR	Yes
PTZ	
Pan Range	360° Endless
Pan Speed	Configurable, from 0.1°/s to 80°/s; Preset Speed: 80°/s
Tilt Range	From -5° to 90°
Tilt Speed	Configurable, from 0.5°/s to 80°/s; Preset speed: 80°/s
Proportional Zoom	Yes
Preset	360
Cruise	8 cruises, up to 16 presets for each cruises
Trace	4 traces, record time over 3 minutes for each trace
Power-off Memory	Support
Action Mode	Preset/Cruise/Trace/Auto Scan/Random Scan
3D Positioning	Support
PTZ Position Display	Support
Scheduled Task	Preset/Cruise/Trace/Random Scan/Boundary Scanning/Dome Reboot
COMPRESSION STANDARD	
Video Compression	H.265 / H.264 / MJPEG
H.264 Type	Baseline Profile/Main Profile/High Profile
H.265 Type	Main Profile
Video Bit Rate	128Kbps ~ 6Mbps
SVC	Support
SMART FEATURES	
Basic Event	Motion Detection, Video Exception Alarm, SD Card Full, SD Card Error
Smart Event	Object Removal Detection, Intrusion Detection, Line Crossing Detection, People Intrusion, People Counting and Face Detection
Smart Record	ANR (Automatic Network Replenishment)
IMAGE	
Max. Resolution	1920 × 1080
Main Stream	1920 × 1080, 1280 × 720 25/30fps
Sub Stream	25fps (720P, 704 × 576, 352 × 288); 30fps (720P, 704 × 480, 352 × 240)
Third Stream	25fps (704 × 576, 640 × 480, 352 × 288); 30fps (704 × 480, 640 × 480, 352 × 240)
Image Enhancement	WDR/HLC/BLC/3D DNR/Defog/Regional Exposure/Regional Focus
NETWORK	
Network Storage	Built-in micro SD card slot, up to 128GB
Protocols	HTTP, HTTPS, IPv4/IPv6, 802.1x, QoS, FTP, SMTP, UPnP, SNMP, DNS, DDNS, NTP, RTSP, RTCP, RTP, TCP/IP, UDP, IGMP, ICMP, DHCP, PPPoE
API	ONVIF, Support AVYCON SDK and Third-Party Management Platform
Simultaneous Live View	Up to 6 channels
User/Host	Up to 16 users, 3 levels: Administrator, Advanced User and Normal User
Security Measures	User authentication (ID and PW), Host authentication (MAC address); HTTPS encryption, IEEE802.1x port-based network access control; IP address filtering
Client	AVYCON CVMS 2.0 LITE; and AVY Mobile CVMS
Web Browser	IE8-11, Chrome 41.0 to 44, Firefox 30.0 to 51, Safari 8.0 to 11
INTERFACE	
Network Interface	1 RJ45 10M/100M Adaptive Ethernet (Support PoE 802.3.at)
IMAGE	
Power	DC12V or PoE+ (802.3.at, class 3), (Max 22W, include IR on, Heater on, Fan working)
Working Environment	IP 66 Standard, 4000V Lightning Protection, Surge Protection and Voltage Transient Protection
Protection Level	ADC12, PC, PC+10%GF
Material	Aluminum Alloy; PC + GF10%
Dimensions	Φ 173mm × 247mm (6.8" Φ × 9.7")
Weight	Approx. 2.1 Kg (13.22 lb.)
DORI	
Definition	Detect: 25 px/m, Observe: 63 px/m, Recognize:125 px/m, Identify: 250 px/m
Distance(Tele)	Detect: 5240ft (1600m), Observe: 2083ft (635m), Recognize: 1050ft (320m), Identify: 525ft (160m)