



AVC-TE21M-G

NDA
COMPLIANT

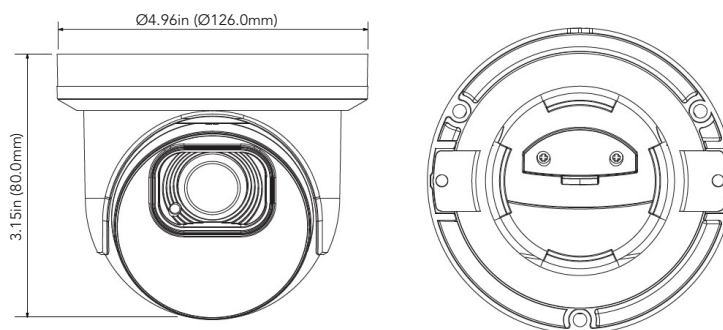
2MP HD-TVI VARIFOCAL TURRET CAMERA

OVERVIEW

- MP (1920 x 1080)
- Motorized Varifocal 2.7-13.5mm Lens
- HD-TVI / CVI / AHD / CVBS (Analog)
- Easy-to-Use DIP Switch to Change Formats
- True Day / Night
- Smart IR Illumination Up to 115ft.
- Digital NR
- DWDR
- IP67 Outdoor Rating
- DC 12V (3W Consumption)
- NDA Compliant

DIMENSIONS

Unit : inch(mm)



OPTIONAL ACCESSORIES



AVM-JB-BE-L1-G
JUNCTION BOX



AVM-CWM-EDV-L1-G
COMPACT WALL MOUNT



AVM-HWM-E-L1
HEAVY-DUTY WALL MOUNT



AVM-HCM-E-L1
CEILING MOUNT



AVM-CRM-A1
CORNER MOUNT



AVM-POM-A1
POLE MOUNT

SPECIFICATIONS

| CAMERA | |
|------------------------------|--|
| Image Sensor | 1/2.8" Progressive Scan CMOS |
| Resolution | 2MP |
| Image Size | 1920 x 1080 |
| Video Output | 1-channel BNC Video Output |
| Image System | PAL / NTSC |
| Electronic Shutter | 1/15s to 1/50,000s |
| IR Distance | Up to 115ft. |
| Video Formats | HD-TVI / AHD / CVI / CVBS (Analog) |
| Frame Rate | HD-TVI / AHD / CVI / CVBS (Analog): 30 FPS |
| Min. Illumination | 0.01lux@F1.0(AGC ON),0Lux with IR ON |
| Lens | Motorized 2.7-13.5mm Lens |
| Lens Mount | φ14mm |
| Horizontal Field of View | 115.9° (W) -33.8° (T) |
| S/N Ratio | 39dB |
| Function Control | OSD, Control over Coax (UTC) |
| IMAGE | |
| Day & Night | EXT / Auto / Color / BW (Black and White) |
| Digital WDR | Yes |
| Digital NR | Yes (3D DNR) |
| Auto Gain Control (AGC) | Yes |
| Auto White Balance (AWB) | Yes |
| Backlight Compensation (BLC) | Yes |
| Edge Brightness Compensation | Yes |
| Defog | No |
| HLC | No |
| Sharpness | Yes |
| Mirror Image | Yes |
| Smart IR (Anti-SAT) | Yes |
| Image Setting | Yes |
| Defect Correction | Auto / Manual |
| GENERAL | |
| Angle Adjustment | Any Angle |
| Input Voltage | DC 12V (±10%) |
| Power Consumption | Maximum 3W |
| Ingress Protection | IP67 |
| Working Environment | -22F - 131F (-30°~55° Celcius) |
| Dimensions | Ø4.96" x 3.15" (Ø126.0mm x 80.0mm) |