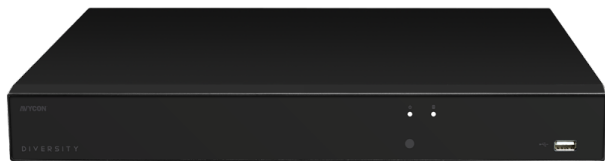


# AVR-DSV816H AI

NDA  
COMPLIANT | CE | FC

H.265 4K UHD DIGITAL VIDEO RECORDER  
8MP / 5MP / 4MP / 1080P / 960P / 720P 4K HD OVER COAX & UTP

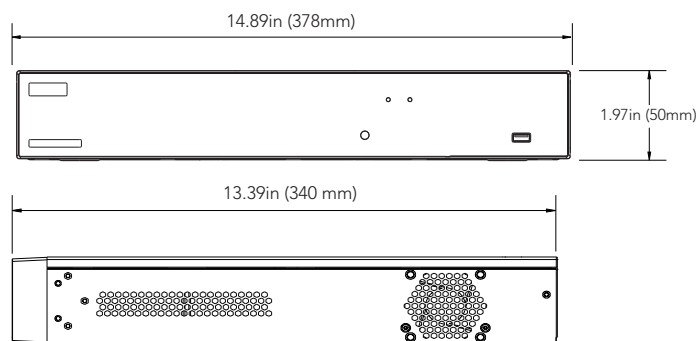


## OVERVIEW

- H.265 codec decoding
- Max. 192Mbps(16CH) input bandwidth
- Up to 8MP(4K) resolution for preview and playback
- Support to install up to 2 HDD, max total capacity of up to 32TB
- Full function network remote view via Internet (CMS, IE/Firefox/-Chrome, Mac Safari)
- No limitation on adding devices to CMS, max. 128 channels preview (CMSONE)
- Support scan P2P QR code to connect DVR via Mobile app (AVY Mobile One)
- Support to save pictures/video to Dropbox storage (Dropbox)
- Support to save pictures/video to FTP server (built by user)
- VGA/HDMI output up to 4K resolution
- Support HDD S.M.A.R.T. Monitoring
- Optional e-SATA HDD recording
- Ability to convert up to 16 analog channels to have in total 24 IP channels (Total Bandwidth 192mbps)

## DIMENSIONS

Unit : mm(inch)



## MOBILE APP

AVYCON ONE



## REAR PANEL



## SPECIFICATIONS

CAMERA	
Analog Video Input	16CH input
IP Video Input	8CH, (only IP up to 24CH)
Total Video Input	24CH, (Analog + IP)
Output	HDMI x 1: EDID / 3840 x 2160(4K) / 2560 x 1440(2K) / 1920 x 1080 / 1440 x 900 / 1280 x 1024 / 1280 x 720 / 1024 x 768 VGA x 1: 1920 x 1080 / 1440 x 900 / 1280 x 1024 / 1280 x 720 / 1024 x 768 BNC x 1: 704 x 576
Incoming Bandwidth (Mbps)	64Mbps~192Mbps
Outgoing Bandwidth (Mbps)	192Mbps
Video Compression	H.264/H.265
Audio Compression	G.711a
Installation Wizard	Yes
HD Analog	8MP @ 15fps / 5MP @ 20fps / 4MP / 1080P / 960P @ 30fps
IP	4K / 4MP / 1080P / 720P
PLAYBACK	
Playback Frame Rate	8MP:144fps, 5MP:240fps, 4MP:320fps, 1080P/ 720P/ NTSC:480fps(each CH)
Smart AI	Analog Cameras: Face Detection (FD), Human & Vehicle Detection (PD&VD), Perimeter Intrusion Detection (PID), Line Crossing Detection (LCD), Sound Detection, Video Tampering (VD)
Event Triggers	MD(Sensitivity Level 1~8), Video Loss, Beep, Email, Push Notification to Mobile App
Playback Function	Fast forward / backward (2x, 4x, 8x,16x), Slow forward (1/2x, 1/4x, 1/8x,1/16x)
Playback	Max 16CH playback
INTERFACE	
Local UI	UI5.0
Web Monitoring	IE10/11, Safari V12.1 above, Firefox V.52 above, Chrome V.57 above, Edge V.79 above
Mobile Viewer	AVY Mobile One
Push Notification	Motion Event, AI, and Abnormal
Reset Button	Password reset (Hold 3 seconds), Factory Reset (Hold 8 seconds)
HDD Interface	SATA x 2, Max 32TB HDD
SYSTEM	
PoE	N/A
Ethernet	1 RJ45 10/1000 Base-T
USB	USB 2.0 x 1 (Front Panel), USB 3.0 x 1 (Rear Panel)
Audio	16 IN /1 OUT
E-Sata	No
RS485	1
Alarm Input/out	16 IN /1 OUT
GENERAL	
OSD Language	English and more
Power Consumption	20W (Without HDD)
Power Supply	DC12V/5A
Working Environment	32°~104°F (0°~40° Celcius)
Working Humidity	Less than 90%RH (Non-Condensing)
Dimensions	14.89" x 13.39" x 1.97" (378mm x 340mm x 50mm)

## HDD OPTIONS

- 1TB HDD: AVR-DSV816H-1T
- 2TB HDD: AVR-DSV816H-2T
- 3TB HDD: AVR-DSV816H-3T
- 4TB HDD: AVR-DSV816H-4T
- 6TB HDD: AVR-DSV816H-6T
- 8TB HDD: AVR-DSV816H-8T
- 12TB HDD: AVR-DSV816H-12T
- 8TB HDD: AVR-DSV816H-8T
- 10TB HDD: AVR-DSV816H-10T
- 12TB HDD: AVR-DSV816H-12T
- 14TB HDD: AVR-DSV816H-14T
- 18TB HDD: AVR-DSV816H-18T
- 32TB HDD: AVR-DSV816H-32T

## SMART AI FEATURES

AVR-DSV816H	Diversity DVR AI (IPC)	Diversity DVR AI (HD Analog)
Perimeter Intrusion Detection (PID)	Yes	Yes
Line Crossing Detection (LCD)	Yes	Yes
Human & Vehicle Detection (PD&VD)	Yes	Yes
Stationary Object Detection (SOD)	Yes	No
Face Detection (FD)	Yes	Yes
Tripwire Counting	Yes	No
Cross-Counting (CC)	Yes	No
Sound Detection	Yes	Yes
Rare Sound Detection (RSD)	Yes	No
Video Tampering (VD)	Yes	Yes
LPD (LPD Enhance)	Yes	No
Heatmap (HM)	Yes	No
Crowd Density Detection (CD)	Yes	No
Queue Detection (QD)	Yes	No